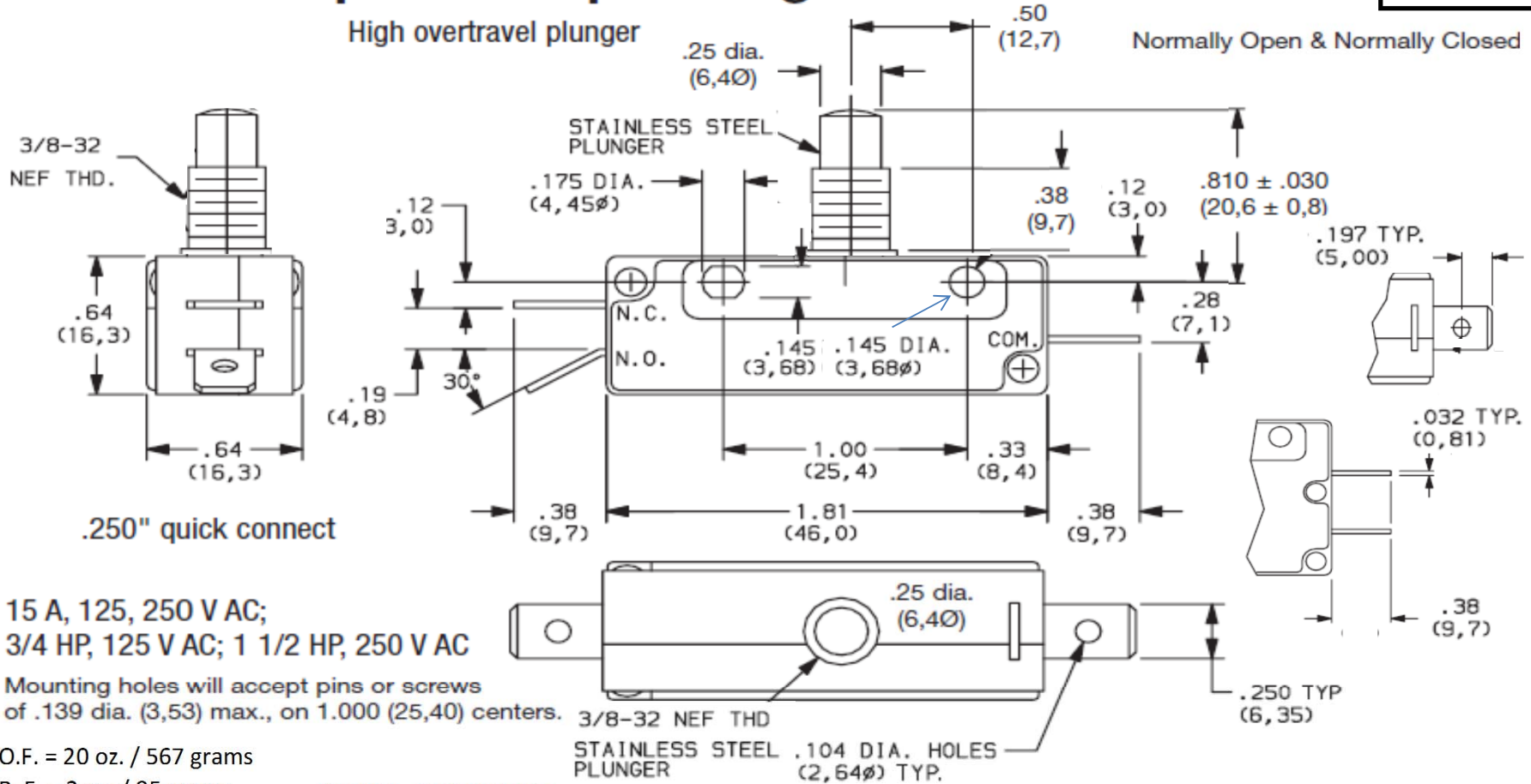


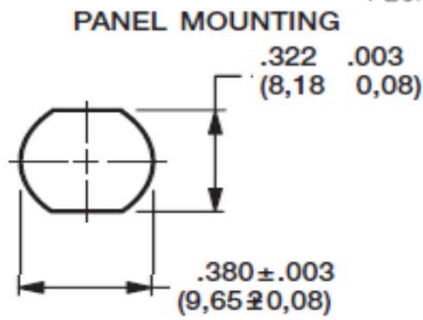
# General Purpose Snap-acting Switch

SPDT

# 35-462



O.F. = 20 oz. / 567 grams  
R. F. = 3 oz. / 85 grams  
P. T. = .050" / 1.27mm  
O. T. = .187" / 4.75mm



UPC: 010151543257  
HTS: 8536.50.9065

RoHS CERTIFIED